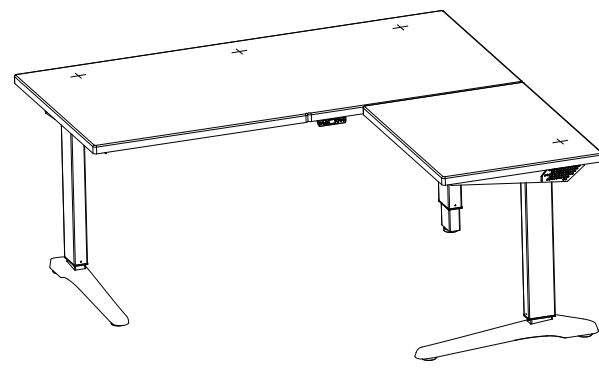




thermaltake

TOUGHDESK 500L RGB BATTLESTATION GAMING DESK



Assembly & User Manual



WARNING: FAILURE TO COMPLY WITH OR OBSERVE ALL ASSEMBLY, SAFETY AND OPERATION INSTRUCTIONS AND WARNINGS REGARDING THE USE OF THIS PRODUCT MAY RESULT IN SERIOUS INJURY.

Important information

Please operate and Before assembly, really understand the relevant regulations, SPECIFICATIONS

- This document contains all relevant safety regulations. Any non-conforming use may result in personal injury or mechanical damage.
- Please read this operation manual carefully before use. The manual provides a lot of important information about the safety, use, assembly and subsequent maintenance of the lifting table; it can avoid many unnecessary injuries.
- If this desk is sold, please provide this manual to the buyer.
- Do not sit or stand on the desk. Do not crawl or lie under the desk.
- Failure to comply with or ignore any safety requirements, assembly instructions, user operations and related warnings may result in serious personal injury or mechanical damage. Please operate and Before assembly, really understand the relevant regulations. This product is not a toy. Please be careful.
- Ensure that you have received all parts according to the component checklist prior to installation. If any parts are missing or faulty, telephone your local distributor for a replacement.
- This product is not intended for use by young children without supervision.
- This product contains small items that could be a choking hazard if swallowed. Keep these items away from children.
- This product is intended for indoor use only. Using this product outdoors could lead to product failure and personal injury.
- This product can be used by children from 8 years old (supervised) to Adult. Users with disabilities or lack of experience and operating knowledge should be supervised and given careful instruction prior to using this product. The desktop should never be sat on and children should be prohibited from having unsupervised contact with the product.
- Cleaning and user maintenance shall not be made by children without supervision.

Important information: Do not over tighten screws during installation.

CAUTION

Please place the product away from corrosive gas, water and dusty environments. Alteration or modding of any factory components outlined in the checklist will automatically void your warranty.

USE & LIABILITY

This product is intended for indoor use only. Using this product outdoors could lead to product failure and personal injury. The height adjustable desk is designed for indoor use and dry work areas only. The desk height is adjustable so that it can be positioned at the most suitable height. Any other use is at user's risk. Under no circumstances does the manufacturer accept warranty claims or liability claims for damages caused from improper use or handling of the desk.

SPECIFICATIONS

Motor	
Voltage	Input 110-240V, 50/60Hz, 4.0A Output 32V, 10A
Speed	156 RPM (+/-5%)
Motor	3
Duty Cycle	10%. Max 1 mins on / 9 mins off.
Torque	7.2 Nm
Safety certifications	Moto: UL 508/CE Motor Controller: UL 508/CE
Controller	Standard 2-Button and Memory 4-Button
Anti-collision safety sensor	Allows the desk to safely stop when colliding with unwanted objects during operation.

SPECIFICATIONS

Structure	
Size	Main table:160cm(L)x 80cm(W) Side table:80cm(L)x 60cm(W) Main table:62.99"(L)x 31.49"(W) Side table:31.49"(L)x 23.62"(W)
Height range	70cm~110cm 27.5"~43.3"
Foot size	Long:67.2cm(L)x 10cm(W)x 5cm(H) 26.46"(L)x 3.94"(W)x 1.97"(H) Short:63.4cm(L)x 10cm(W)x 5cm(H) 24.96"(L)x 3.94"(W)x 1.97"(H)

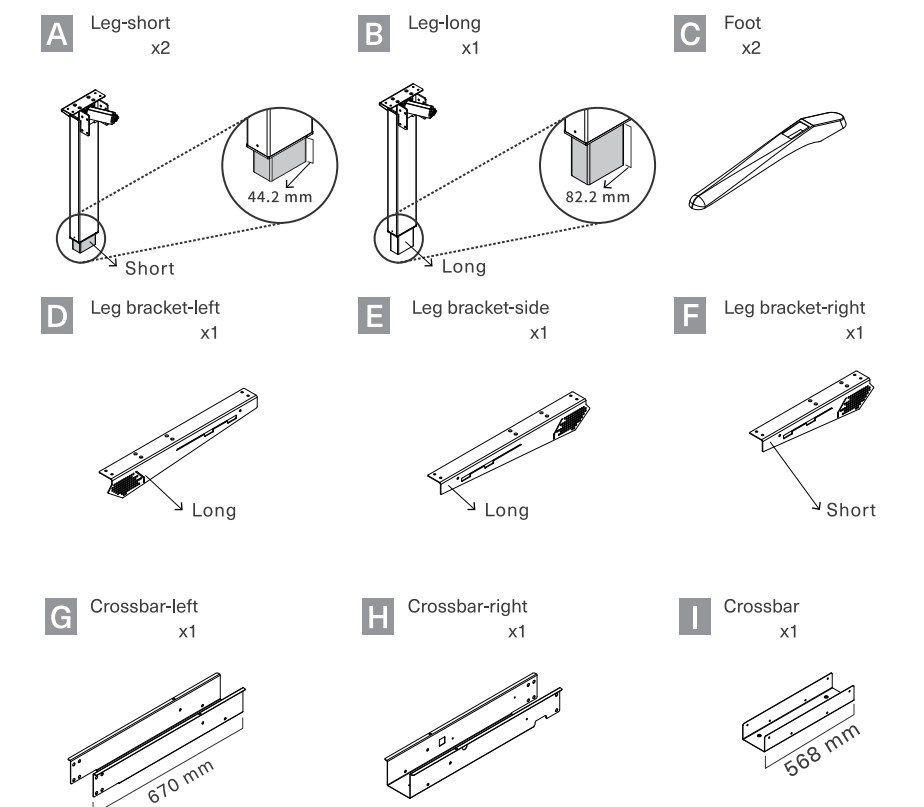
SPECIFICATIONS

Structure	
Max Load	150 kg/330 lb
Material	Steel-constructed frame for max stability
Cable management	Yes
Desktop	
Size	Main table:160cm(L)x 80cm(W) Side table:80cm(L)x 60cm(W) Main table:62.99"(L)x 31.49"(W) Side table:31.49"(L)x 23.62"(W)
Desktop thickness	3.0cm / 1.18"
Max desktop support	Up to super a tower chassis (dimensions:27.2"/69cm x 13.5"/34.2cm x 25.4"/64.5cm)
Material	MDF desktop - premium material with anti-scratch / high-pressure Laminate P2
Scratch coating	Yes
Table feet material	Iron

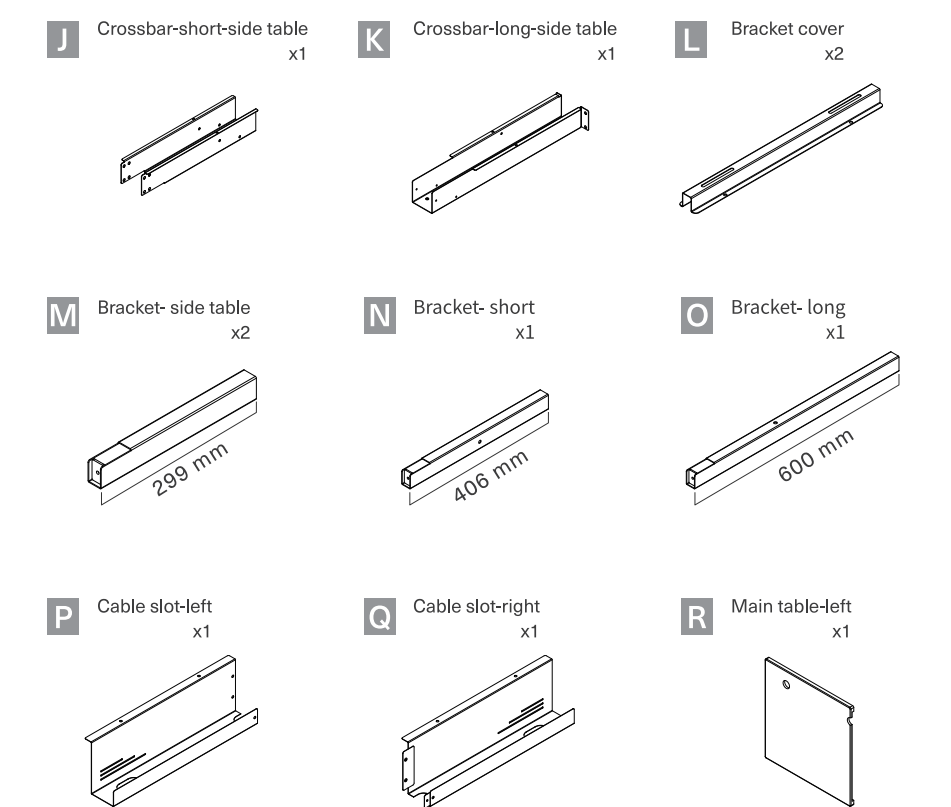
SPECIFICATIONS

Others	
Top finish	Black
Frame color	Black
Included extra large black mousepad	RGB Mouse pad 160cm(L)x 80cm(W)x 4mm(H) 62.99"(L)x 31.49"(W)x 0.157"(H) Side mouse pad 80cm(L)x 60cm(W)x 4mm(H) 31.49"(L)x 23.62"(W)x 0.157"(H)
Shipping dimensions	93.5(L)x 93.5(W)x 41(H)cm 36.81"(L)x 36.81"(W)x 16.14"(H) G.W.:91.8kg / 202.38lb N.W.:76.9kg / 169.53lb
Warranty	2 year warranty(desktop, motor, frame, control box)

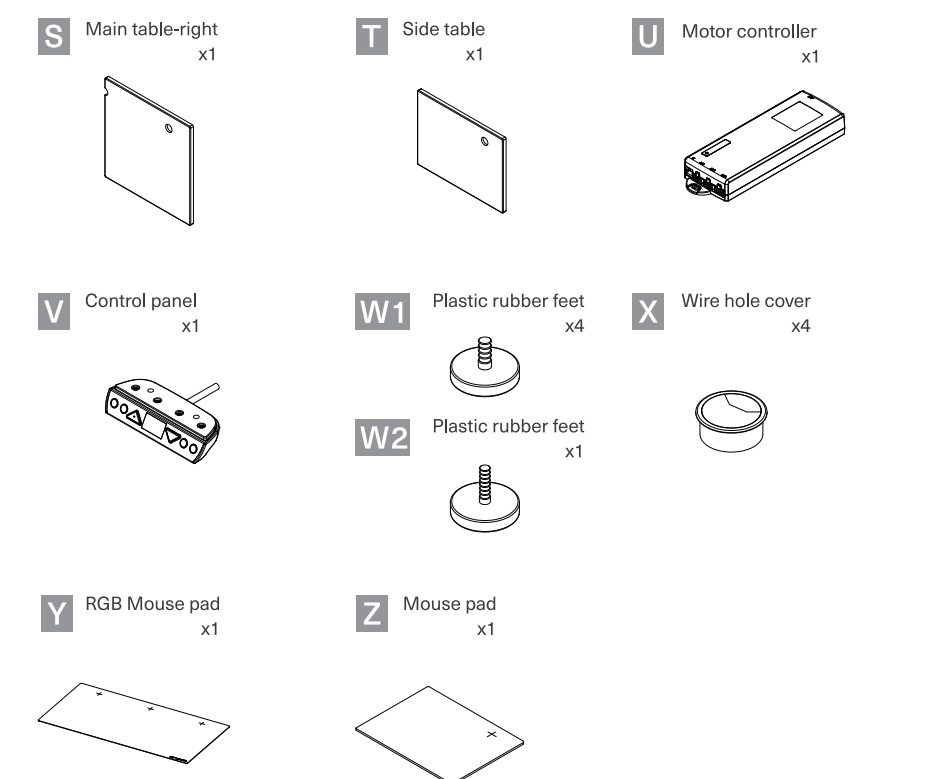
PARTS LIST



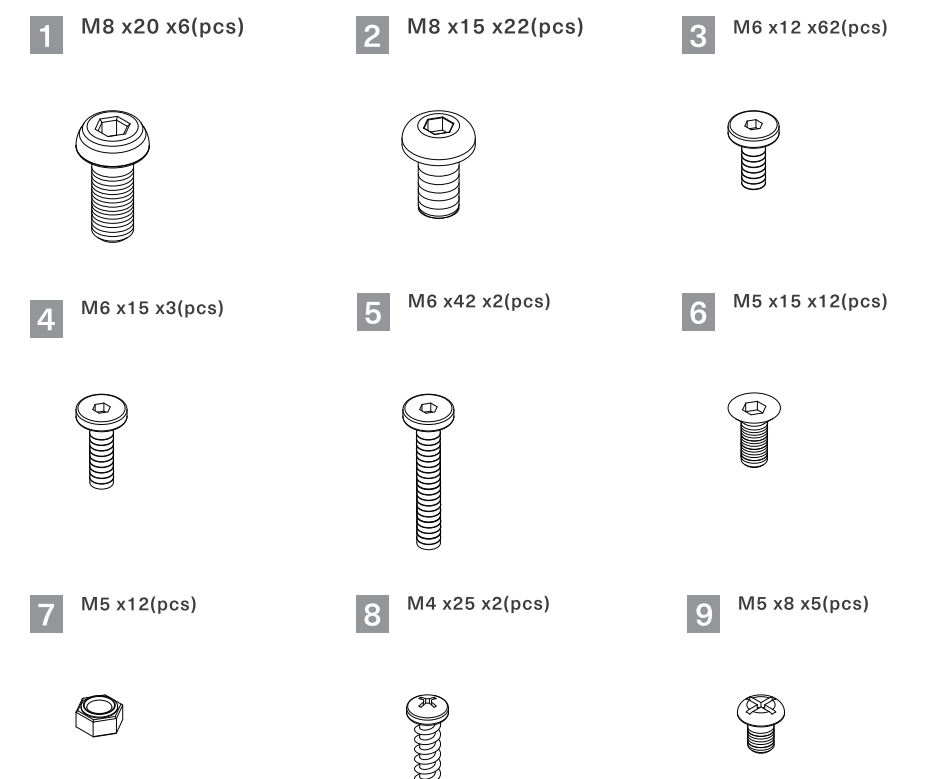
PARTS LIST



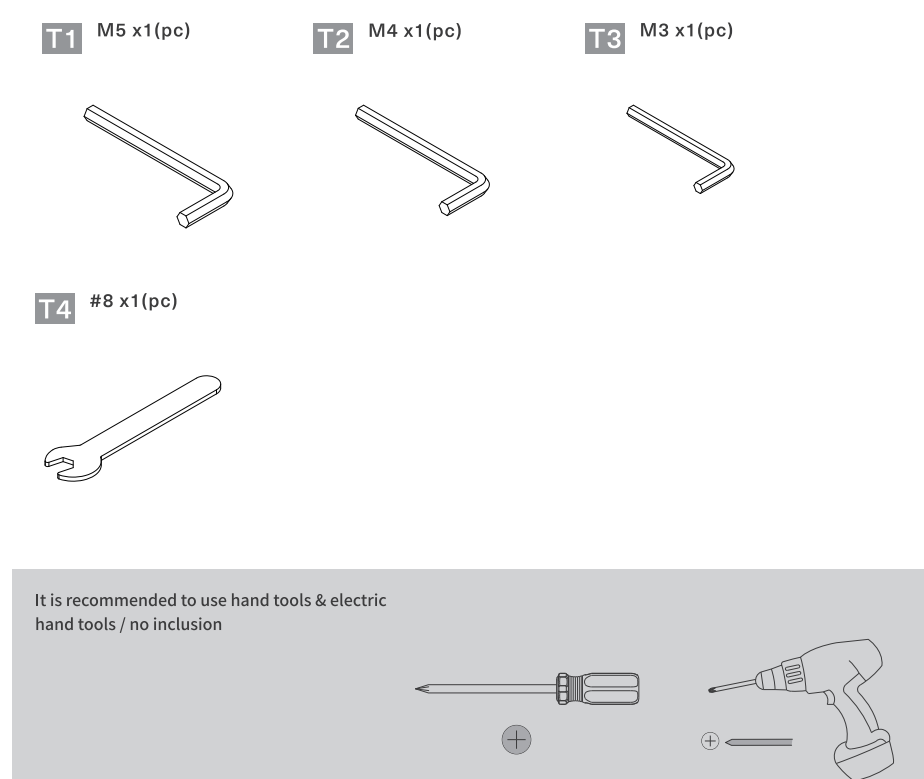
PARTS LIST



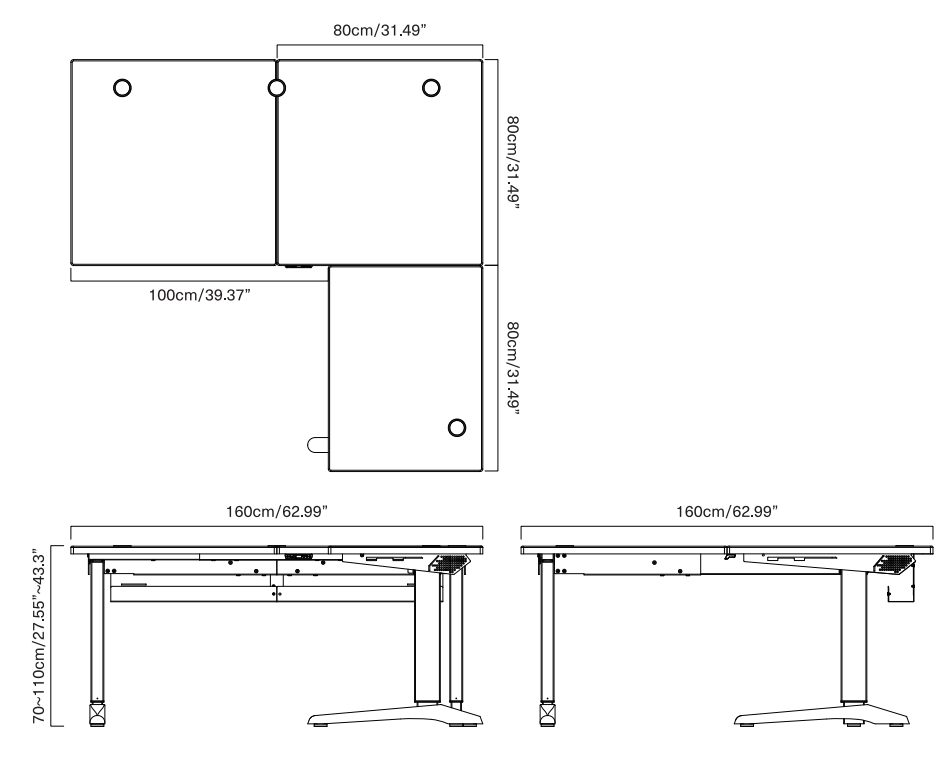
SCREWS



TOOLS

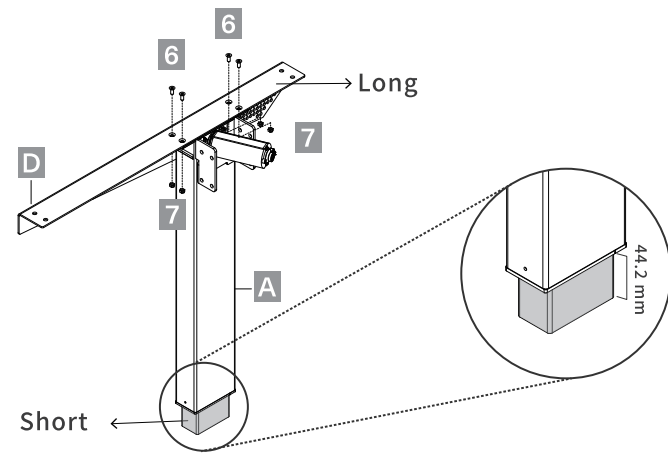


DESK DIMENSIONS



1 Assembling Left Leg

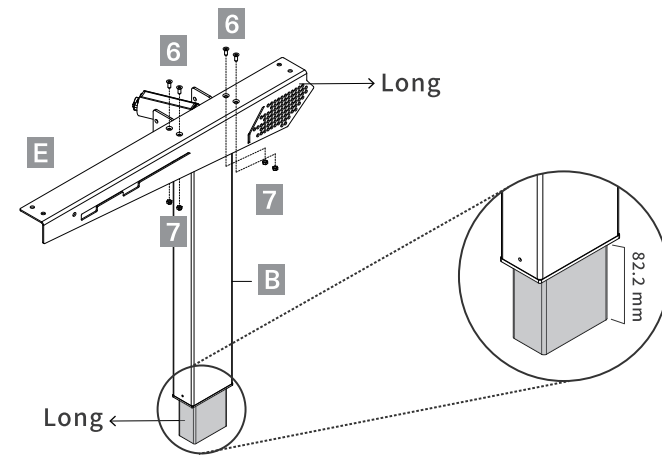
- 6 x4
- 7 x4
- A x1
- D x1



Assemble the leg-short and leg bracket-left.

2 Assembling Right Leg

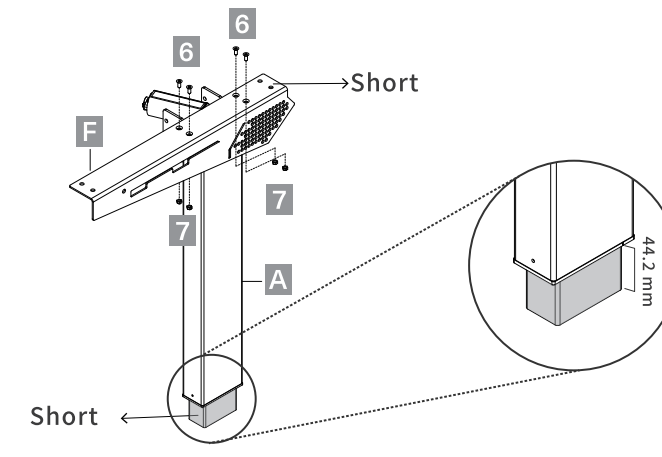
- 6 x4
- 7 x4
- B x1
- E x1



Assemble the leg-short and leg bracket-right.

3 Assembling Sight Leg

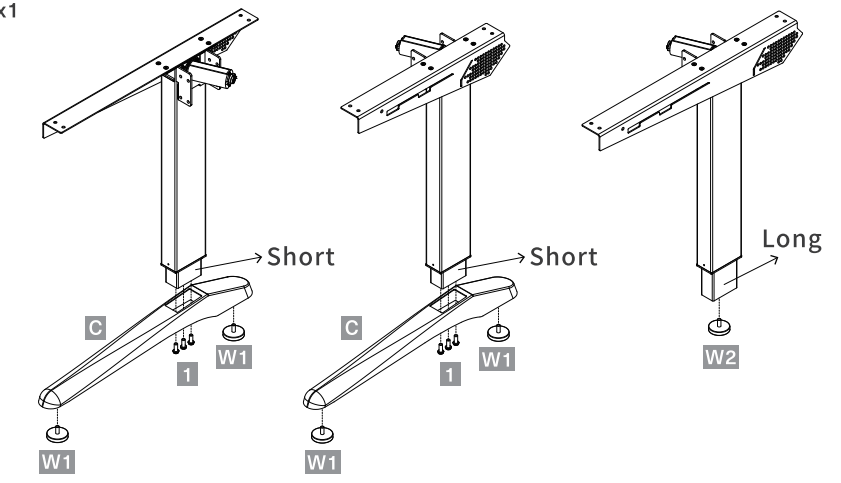
- 6 x4
- 7 x4
- A x1
- F x1



Assemble the leg-long and leg bracket-side.

4 Assembling Plastic Rubber Feet

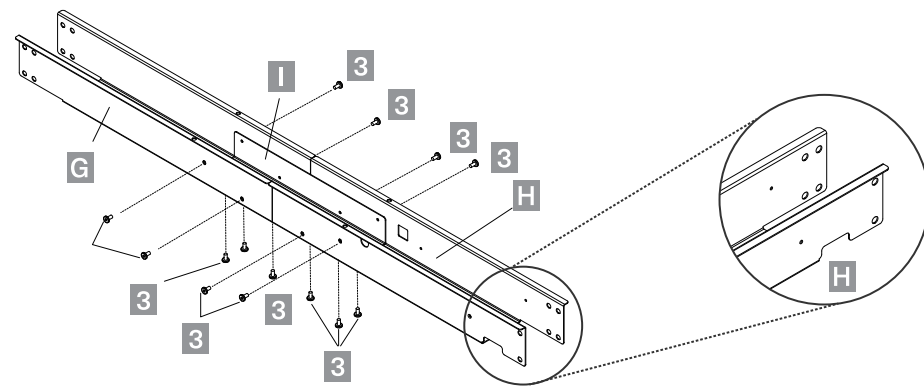
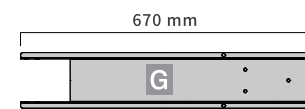
- W1 x4
- W2 x1
- C x2
- 1 x6



Assemble plastic rubber feet and leg.

5 Assembling Crossbars

- 3 x14
- G x1
- H x1
- I x1

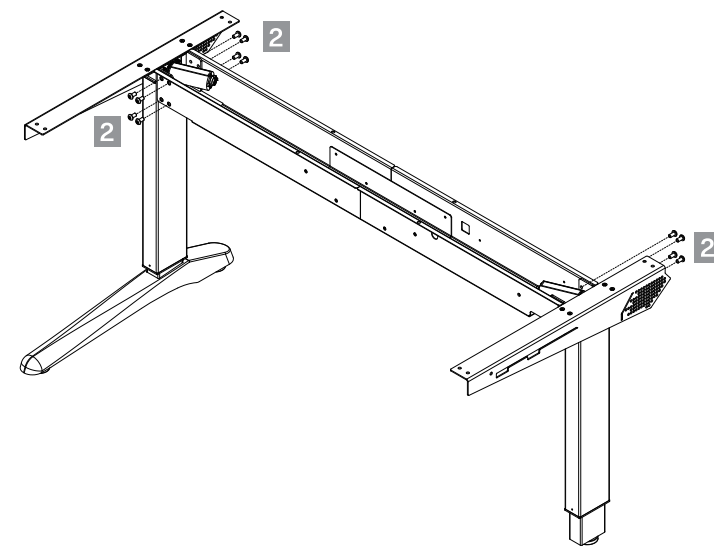


Assembling Crossbar, Crossbar-left and Crossbar-right.

Note: Do not fully tighten screws until completely assembled.

6 Assembling crossbar and table feet

- 2 x12

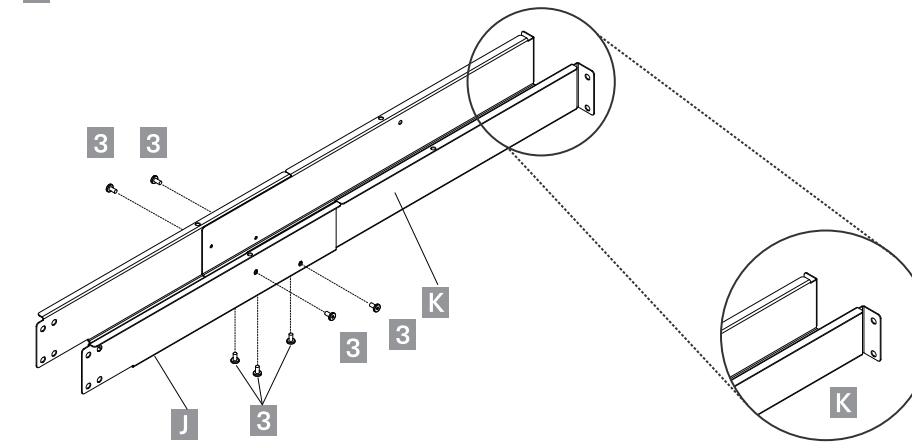
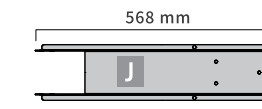


Assemble crossbar and table feet according to the icon.

Note: Do not fully tighten screws until completely assembled.

7 Assembling Crossbars-Side table

- 3 x7
- K x1
- J x1

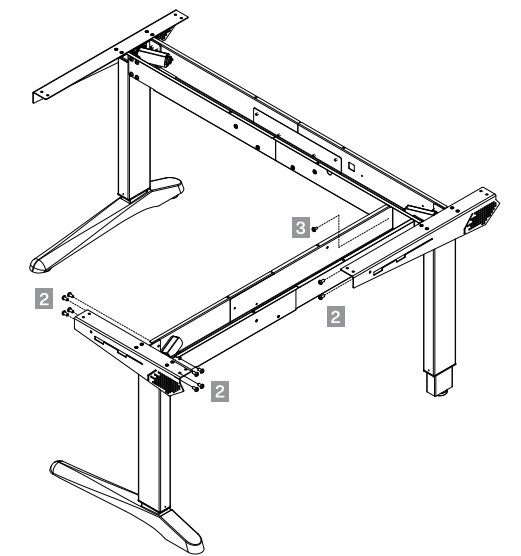


Assembling Crossbar-short-side table and Crossbar-long-side table.

Note: Do not fully tighten screws until completely assembled.

8 Assembling Crossbars-Side table and Sight Leg

- 2 x10
- 3 x1

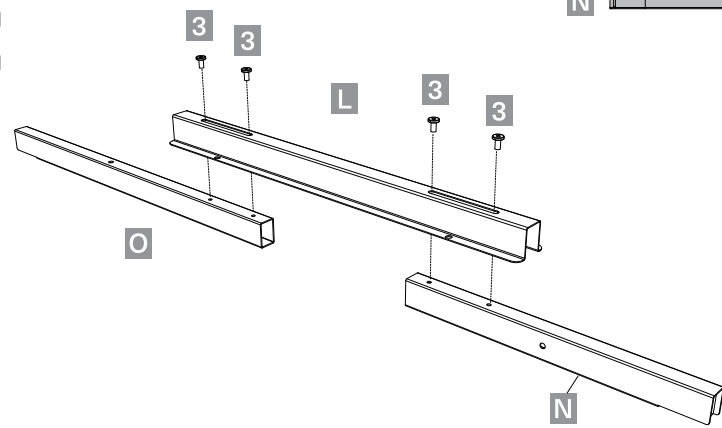
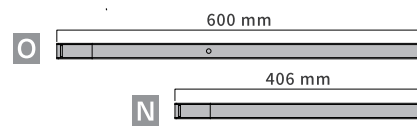


Assemble crossbars-side and side leg with other table legs.

Note: Do not fully tighten screws until completely assembled.

9 Assembling Brackets

- 3 x4
- O x1
- N x1
- L x1

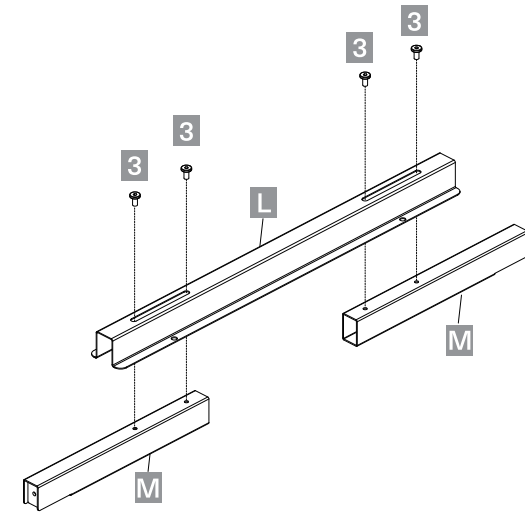
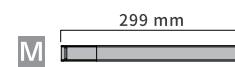


Assemble the Bracket cover, Bracket-short, Bracket-long and Bracket-side table.

Note: Do not fully tighten screws until completely assembled.

10 Assembling side bracket

- 3 x4
- M x2
- L x1

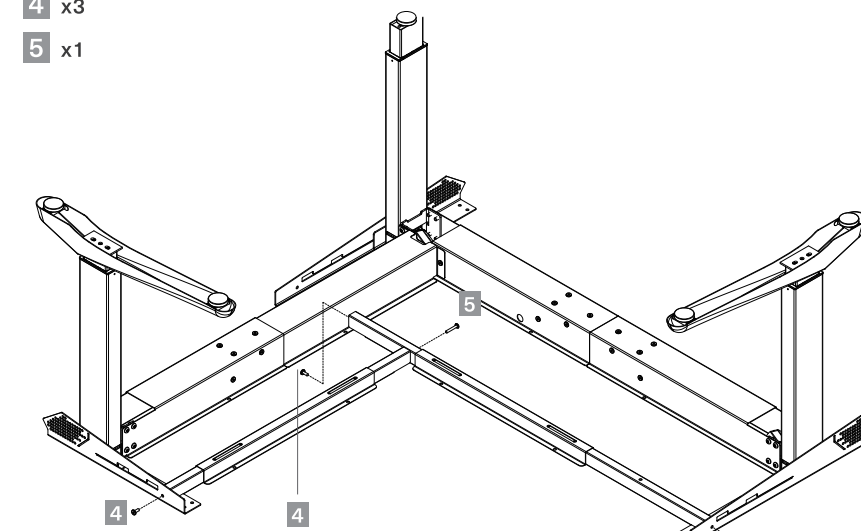


Assemble bracket cover and bracket-side table

Note: Do not fully tighten screws until completely assembled.

11 Assembling brackets

- 4 x3
- 5 x1



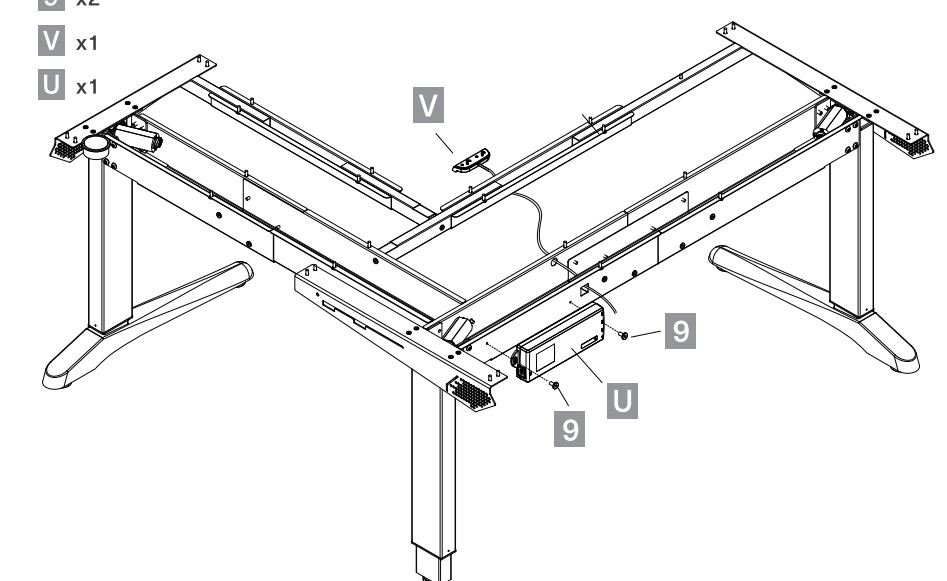
This screw needs to be locked inside the Crossbar.

Assemble the brackets to the main body.

Note: Do not fully tighten screws until completely assembled.

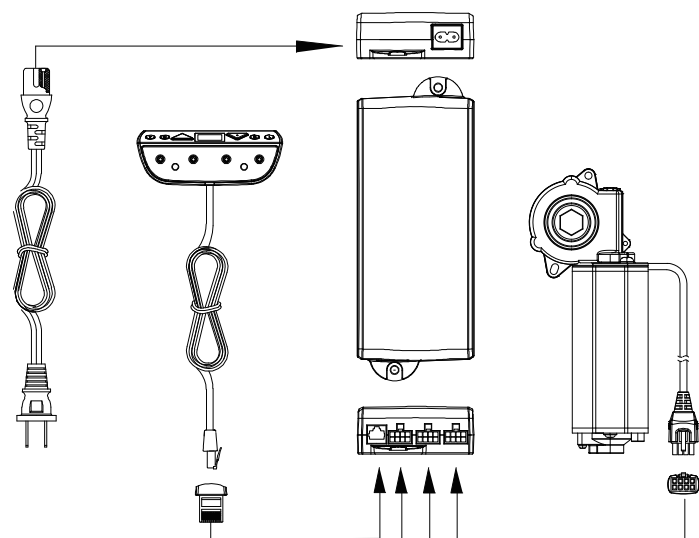
12 Assembling Motor Controller & Panel Controller

- 9 x2
- V x1
- U x1



Screw in the Motor Controller, Assemble the Panel Controller.

13 Assembling Motor Set

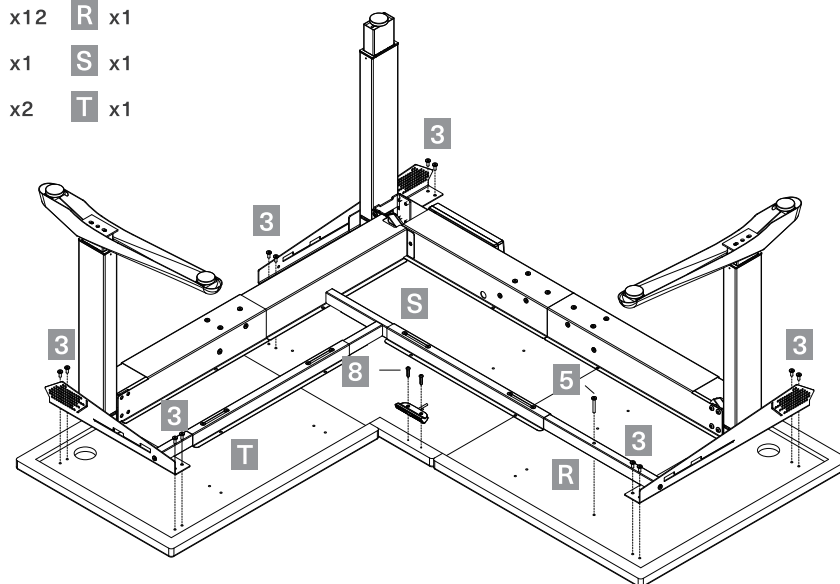


Assemble the motor controller and panel controller.

NOTE: After completing this step, you can go to step 20 and install the controller to test the lifting function.

14 Assembling Control Panel and Legs

3 x12 R x1
5 x1 S x1
8 x2 T x1

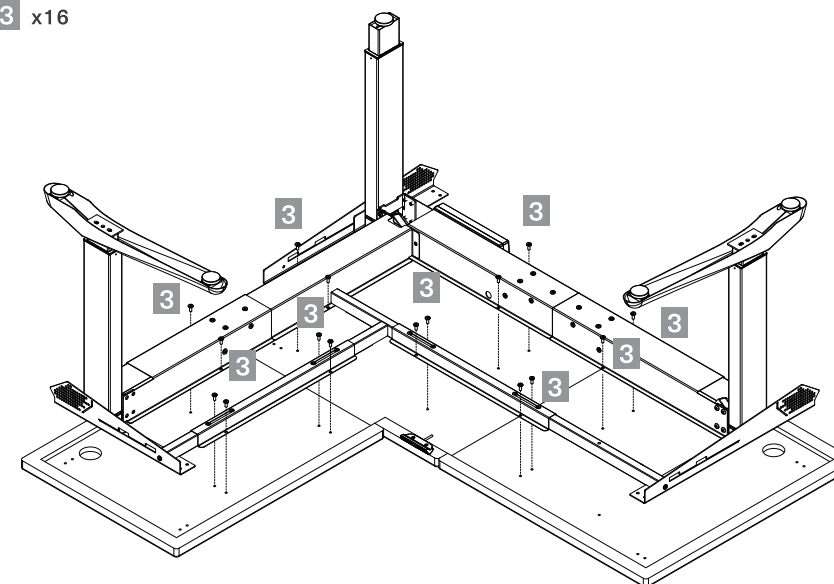


Assembly control panel and main body to the table.

Note: Do not fully tighten screws until completely assembled.

15 Assembling Crossbars and Brackets

3 x16

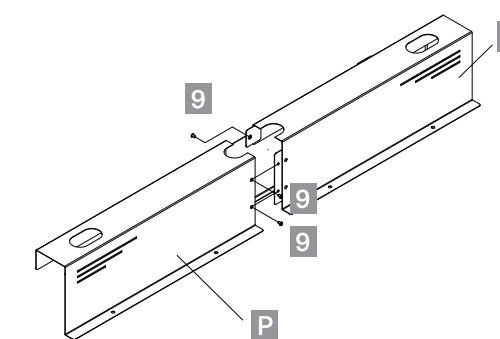


Screw the crossbars and brackets into the table.

Note: Do not fully tighten screws until completely assembled.

16 Assembling Cable Slot

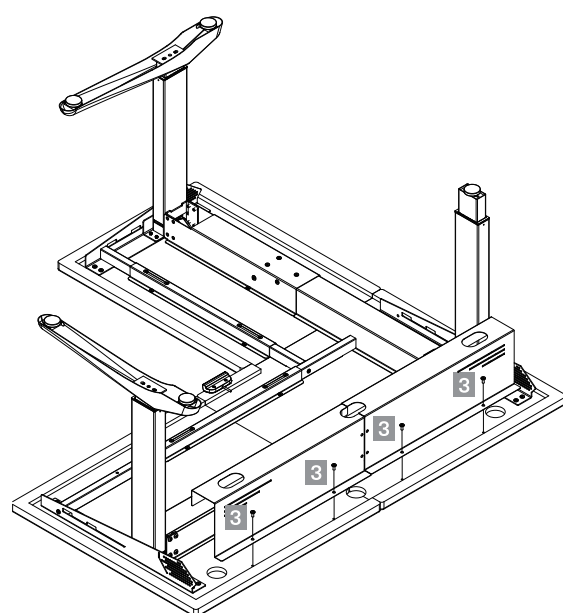
9 x3
P x1
Q x1



Assemble the cable slot.

17 Assembling Cable Slot and Table

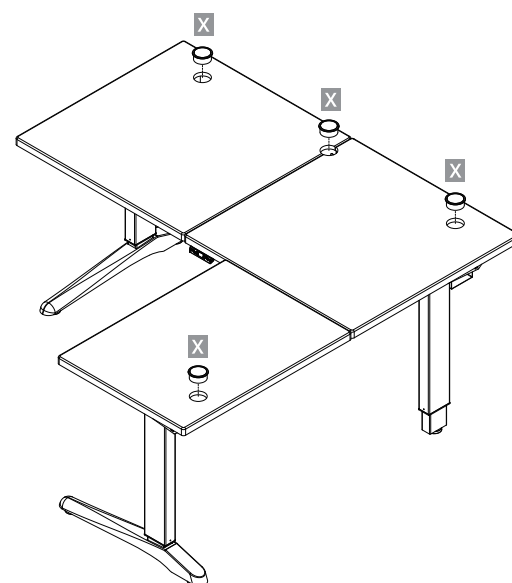
3 x4



Screw the cable slot into the table.

18 Fixing the Wire Hole Cover

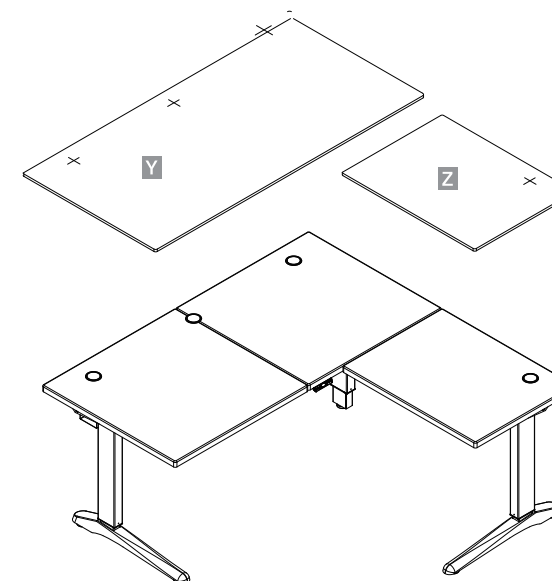
X x4



Fix the wire hole cover.

19 Mouse Pad

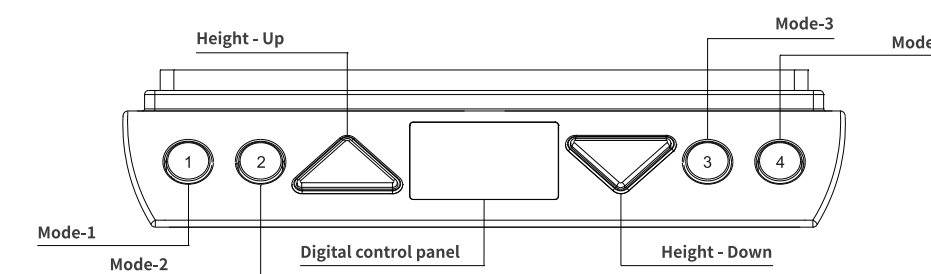
Y x1
Z x1



Place down the included Mouse pads.

NOTE: Please refer to the RGB mouse pad manual for detailed instructions.

20 Panel Controller Instructions



IMPORTANT: You must reset the desk prior to use. Make sure no obstacles are in the desk's path and the desk is clear of walls. Verify all cables are the appropriate length to accommodate the max height.

Control panel

1. Press and hold ▲ to raise height level.
2. Press and hold ▼ to lower height level.
3. Adjust to your preferred height with the ability to save 4 presets.
4. Display will turn off after 10 seconds. Press any button to activate display.

Reset

1. Press both ▲ and ▼ buttons at the same time for 3 seconds to reset desk to default position. The control box will 'beep' to confirm successful reset. Pressed buttons can now be released.
2. When conducting a reset, display will show "E00" at the last 100mm. When finished resetting, display will indicate default starting height.
3. If ▲ and ▼ buttons are released before reset is completed, the desk will not function. The display will indicate "E00" if any button is pressed. User must complete reset procedure to revert to normal operation.
4. Reset is necessary for first operation of the desk.

Starting Height Display change

1. Default starting height is 70cm.
2. To adjust the starting height, press ▼ button to go to the lowest position of the desk. At the lowest position, press ▼ button again for at least 5 seconds, display starts flashing for 10 seconds.
3. During the 10 seconds, press ▲ or ▼ buttons to adjust the starting height number. After 10 seconds, the display stops flashing and the preferred starting height is shown and has been stored.

Storing Memory Profiles

1. Supports 4 memory positions.
2. Operate the desk to preferred height.
3. Press any of ①②③④ together with ▲ or ▼ for 2 seconds to store the current height. Display shows P1/P2/P3/P4 when the position has been stored.
4. When there is already a position stored, hold the button ①②③④ until the desk reaches the stored height.
5. Stored position can only be overwritten but not to be cleared.

Setting Upper Limit

1. Operate the system and stop at the preferred upper height limit.
2. Press ▲ + ▼ together, and release ▼ within 3 seconds (before it goes to reset mode)
3. Hold down ▲ and press ▼ button 3 times continuously.
4. One 'beep' sound will indicate successful completion of setting.
5. Stored position can only be overwritten but not to be cleared.

Setting Lower Limit

1. Operate the system and stop at the preferred lower limit height.
2. Press ▲ + ▼ together, and release ▲ within 3 seconds (before it goes to reset mode)
3. Keep holding ▼ and press ▲ button 3 times continuously.
4. One 'beep' sound will indicate successful completion of setting.

Clearing Upper Limit

1. Go to set upper limit.
2. Press ▲ + ▼ together, and release ▼ within 3 seconds (before it goes to reset mode)
3. Hold down ▲ and press ▼ button 3 times continuously.
4. One 'beep' sound will indicate successful completion of setting.

Clean Lower Limit

1. Go to the set lower limit.
2. Press ▲ + ▼ together, and release ▲ within 3 seconds (before it goes to reset mode)
3. Hold down ▼ and press ▲ button continuously for 3 times.
4. One 'beep' sound will indicate successful completion of setting.

RESET (Reset Limitation)

1. Using the reset function will reduce desktop height to lowest default height setting of 70cm.
2. Using the reset function will result in the desk exceeding the preset lower height limit, if one has been set.
3. After resetting, desk will only be able to move up until preset lower height limit has been passed.
4. After reset, when height exceeds the new lower limit, a 'beep' will sound as confirmation.

21 TROUBLESHOOTING

1. If your desk is not functioning properly it may need to be reset. Unplug the power cord for 20 seconds. Plug the power cord back in and follow the RESET procedure.
2. Reset may be needed from time to time in events like non-movement, uneven movement, sudden power outage, over-load, overheat and etc.

22 ERROR CODE FOR DESK WITH MEMORY CONTROLLER

Error Code	E00	E01
Protection	Incomplete reset	Overuse protection (10% duty cycle)
Situation	Reset incomplete. ex. release of any button while retracting	The protection will be activated after operating continuous use more than 5mins.
Buzzer Alert	None	E01 flashes for 5 secs. Long 3 beeps.
Solution	Keep pressing UP&DOWN buttons at the same time till you hear 1 Beep from the control box(TC).	Stop using the desk for at least 3 mins, it needs time to reset after working too hard.
For the latest User Installation Guide · please visit : www.thermaltake.com		

22 ERROR CODE FOR DESK WITH MEMORY CONTROLLER

Error Code	E04	E11
Protection	Anti-collision (Basic function in control box for specific software)	Motor overcurrent Overload protection
Situation	Collision detection during operation. 1. Collision detection during operation. 2. Motor controller is not fix well.	1. Desk overload. 2. Internal transmission of column is jammed
Buzzer Alert	E04 flashes for 5 secs. No beeps.	E11 flashes for 5 secs. 5 beeps.
Solution	Remove the obstacle. Desk can be operated again after it stops from reversing. Remove the obstacle or fix the motor controller well. Desk can be operated again after it stops from reversing.	Check the load on the desk and see if it's overloaded. If not, please contact supplier for mechanism inspection.
For the latest User Installation Guide · please visit : www.thermaltake.com		

22 ERROR CODE FOR DESK WITH MEMORY CONTROLLER

Error Code	E12	E13
Protection	Anti-collision (Basic function in control box for specific software)	Motor overcurrent Overload protection
Situation	Collision detection during operation. 1. Collision detection during operation. 2. Motor controller is not fix well.	1. Desk overload. 2. Internal transmission of column is jammed
Buzzer Alert	E04 flashes for 5 secs. No beeps.	E11 flashes for 5 secs. 5 beeps.
Solution	Remove the obstacle. Desk can be operated again after it stops from reversing. Remove the obstacle or fix the motor controller well. Desk can be operated again after it stops from reversing.	Check the load on the desk and see if it's overloaded. If not, please contact supplier for mechanism inspection.
For the latest User Installation Guide · please visit : www.thermaltake.com		

22 ERROR CODE FOR DESK WITH MEMORY CONTROLLER

Error Code	E21	E31
Protection	Motor no Hall sensor signal	Motor No current
Situation	Desk is not allowed to operate.	Desk is not allowed to operate.
Buzzer Alert	E21 flashes for 5 secs. Long 1 beep.	E31 flashes for 5 secs. 4 beeps.
Solution	Check the cable status if any damage, reset before operating. Contact supplier for motor or motor cable replacement.	Check if all the plugs are connected well. It is recommended to re-plug all the plugs.
For the latest User Installation Guide · please visit : www.thermaltake.com		

